

# Mixing Chamber

Ideal solution for high accurate measurements during exercise in research and elite sport applications



- ▶ High accuracy at steady state
- ▶ Either low and high ventilation ranges
- ▶ State-of-the-art two-way non-rebreathing valve
- ▶ High comfortability and easy to assembly
- ▶ Specific flowmeter calibration procedure

The mixing chamber module allows metabolic assessment through a full range of low to high minute ventilation rates during exercise testing.

Transforming your COSMED breath by breath system into a mixing chamber sampling device is particularly easy and it maintain similar comfortability standards to the tested subject.

The new version of the mixing chamber has been designed to increase accuracy of measurements at the maximum level.

The module consists of a 8.6 litres plexiglas box with internal baffles to facilitate mixing. Mixed gas concentration and expiratory flow are measured continuously near the outlet of the box with the turbine flowmeter and the sampling line are placed at the exhalation port of the mixing chamber.

Subjects wear a face mask or a silicone mouthpiece attached to a two-way non-rebreathing valve connected to a plastic hose for transfer of expired air to the mixing chamber.

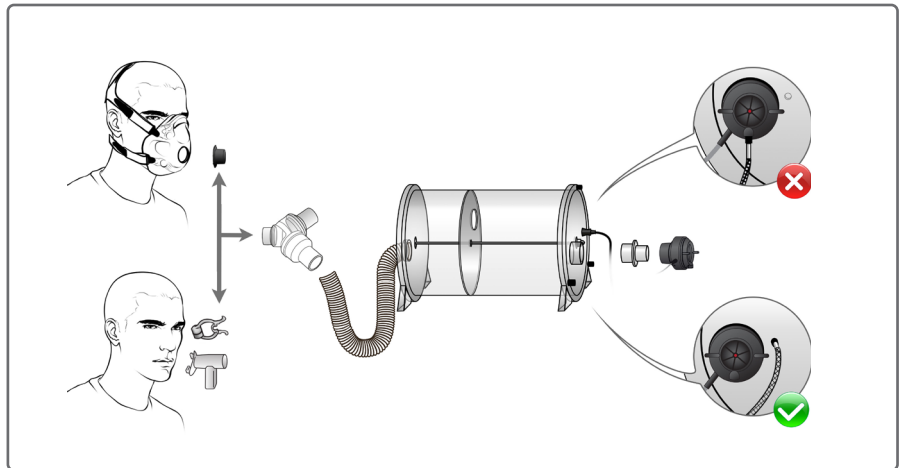
For higher intensities exercise protocols, an optional plastic head-support is provided to support the subject during exercise.

A dedicated flowmeter calibration specific for the mixing chamber test is available with the OMNIA software. Performed with the 3L syringe, the calibration improves accuracy of the ventilation as the device is calibrated in the exact conditions that are available during testing.

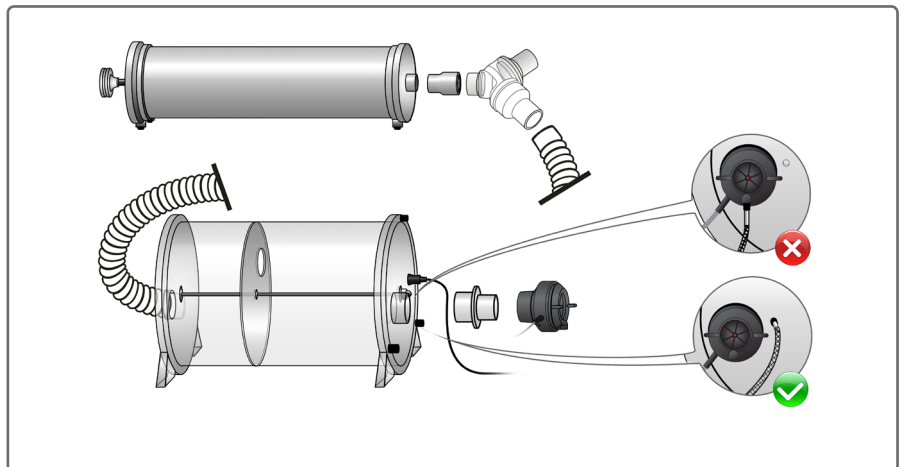


## Technical Specifications

Product	Description	REF
Mixing Chamber		C03261-02-11
Standard packaging	Mixing chamber unit, Two-Way-Non-Rebreathing Valve (Y-shape), V2 face mask (medium), corrugated tube 35mm (2100 mm length), tube holder, adapters.	
<b>Hardware</b>		
Dimensions	38.2x24x24 cm	
Weight	2.5 kg	
Volume	8.6 L	
Sampling rate	30s (rolling average 10s)	



The new set-up options (face mask or silicone mouthpiece) available with the mixing chamber module.



Volume calibration specific to the mixing chamber test.



**COSMED**  
The Metabolic Company

**COSMED Srl**

Via dei Piani di Monte Savello 37  
Albano Laziale - Rome 00041, Italy

+39 (06) 931-5492 Phone

+39 (06) 931-4580 Fax

info@cosmed.com | cosmed.com