

# SPIRO *flo*



**Medical Filtration  
Solutions Ltd.**

Company Registration Number: 8718303

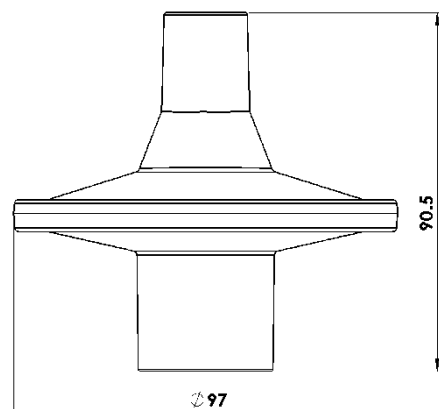
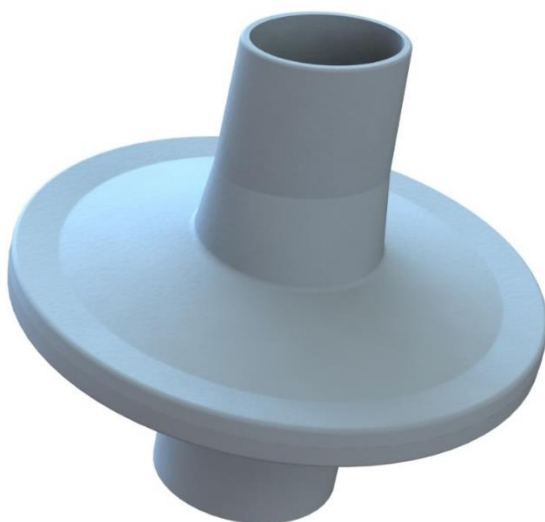
72 Roman Way Industrial Estate,  
Longridge Road,  
Preston,  
Lancashire.  
PR2 5BE  
Tel: 01772 790820  
Fax: 01772 797515

## TECHNICAL DATA SHEET

**Product Code - M02.1.001**

**Product Description - Spirometry filter**

Media	Electrostatic
BFE/VFE	99.9999%
Resistance to flow @ 720 L/min	63 Pa
Dead space	71 ml
Material	Polypropylene
Connections	Comfortable oval mouthpiece for patient use. Device fitment to suit Jaeger elbow, Vmax & Pneumotach flowmeters
Alternatives	Other Connections available
Combinations	Also available with Bite Grip and/or Nose Clip



Dimensions are approximate